



US008215641B2

(12) **United States Patent**  
**Hacker et al.**

(10) **Patent No.:** **US 8,215,641 B2**  
(45) **Date of Patent:** **Jul. 10, 2012**

(54) **TRADING CARD GAME INCLUDING TRADING CARD HAVING A SELECTIVELY UNEXPOSED SECTION**

(75) Inventors: **Brian J. Hacker**, San Diego, CA (US);  
**Wayne R. Wilcoxon**, Carlsbad, CA (US); **David S. Smith**, San Diego, CA (US)

(73) Assignee: **The Upper Deck Company, LLC**,  
Cheyenne, NV (US)

(\* ) Notice: Subject to any disclaimer, the term of this patent is extended or adjusted under 35 U.S.C. 154(b) by 1090 days.

(21) Appl. No.: **11/701,228**

(22) Filed: **Jan. 31, 2007**

(65) **Prior Publication Data**  
US 2007/0138746 A1 Jun. 21, 2007

**Related U.S. Application Data**

(62) Division of application No. 11/042,857, filed on Jan. 25, 2005.

(51) **Int. Cl.**  
**A63F 1/00** (2006.01)

(52) **U.S. Cl.** ..... **273/292**

(58) **Field of Classification Search** ..... **273/293,**  
**273/308, 244.2, 255, 243, 306**

See application file for complete search history.

(56) **References Cited**

U.S. PATENT DOCUMENTS

5,318,306 A \* 6/1994 Levin ..... 273/293  
6,058,640 A \* 5/2000 Young ..... 40/709  
2004/0036220 A1 \* 2/2004 Tanaka ..... 273/292

OTHER PUBLICATIONS

Search Report and Written Opinion for PCT International Application No. PCT/US2006/002407 (related to the present application), Sep. 13, 2007, Brian J. Hacker et al.

\* cited by examiner

*Primary Examiner* — Alvin Hunter

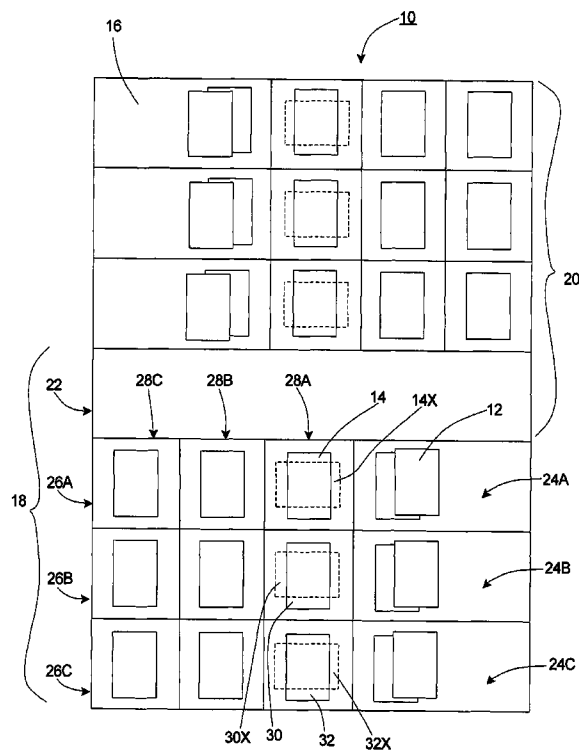
*Assistant Examiner* — Dolores Collins

(74) *Attorney, Agent, or Firm* — Roeder & Broder LLP

(57) **ABSTRACT**

A trading card game (10) includes a first card (212) having only one immovable section (234). The game (10) also includes a second card (314) including a first section (352) and a second section (354). The second section (354) can be slidable relative to the first section (352) so that the second card (314) moves between a first position and a second position. In the first position, a portion of the second section (354) is unexposed to the players. In the second position, the portion of the second section (354) is exposed to the players, and influences the outcome of at least a portion of the game (10).

**23 Claims, 6 Drawing Sheets**



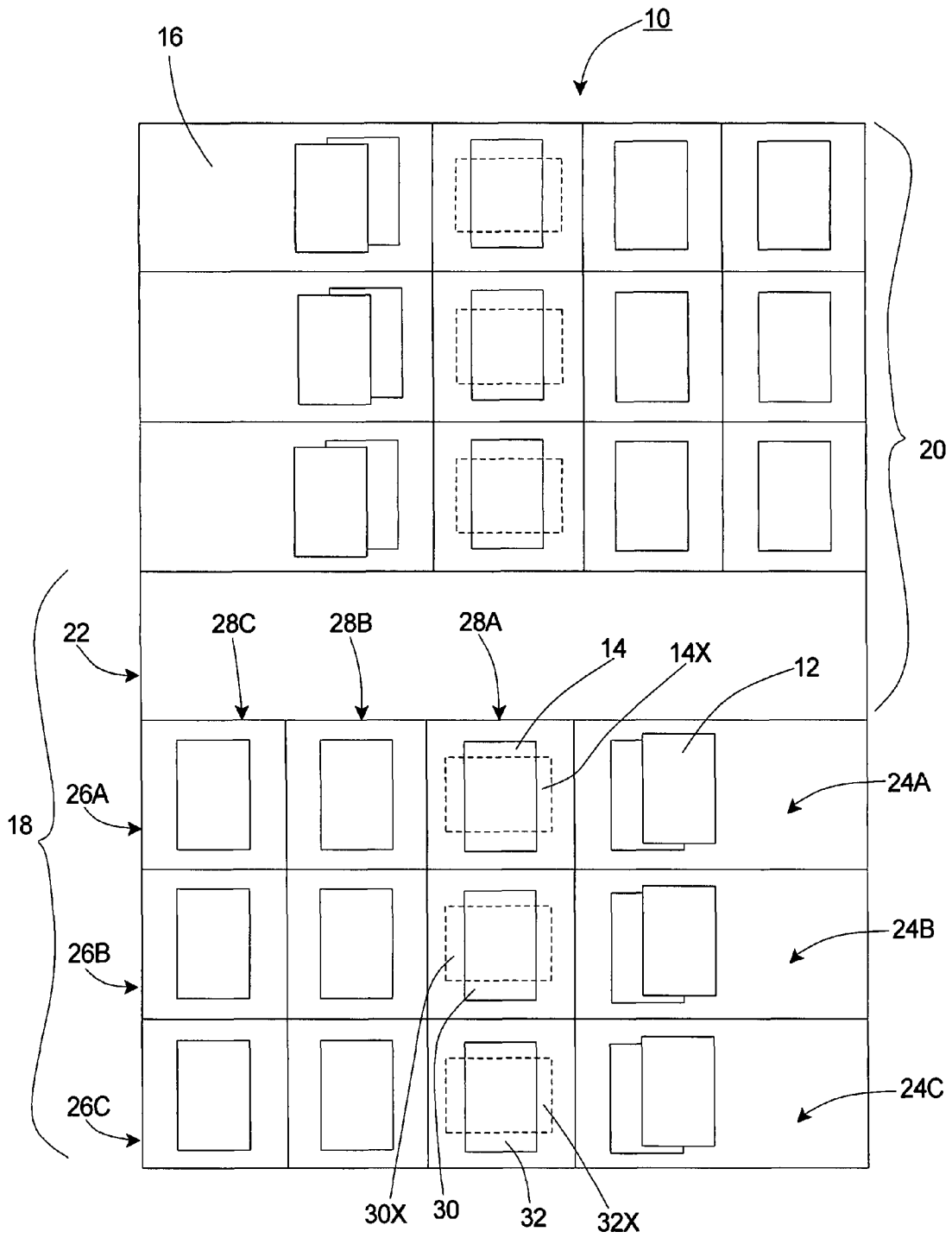


Fig. 1

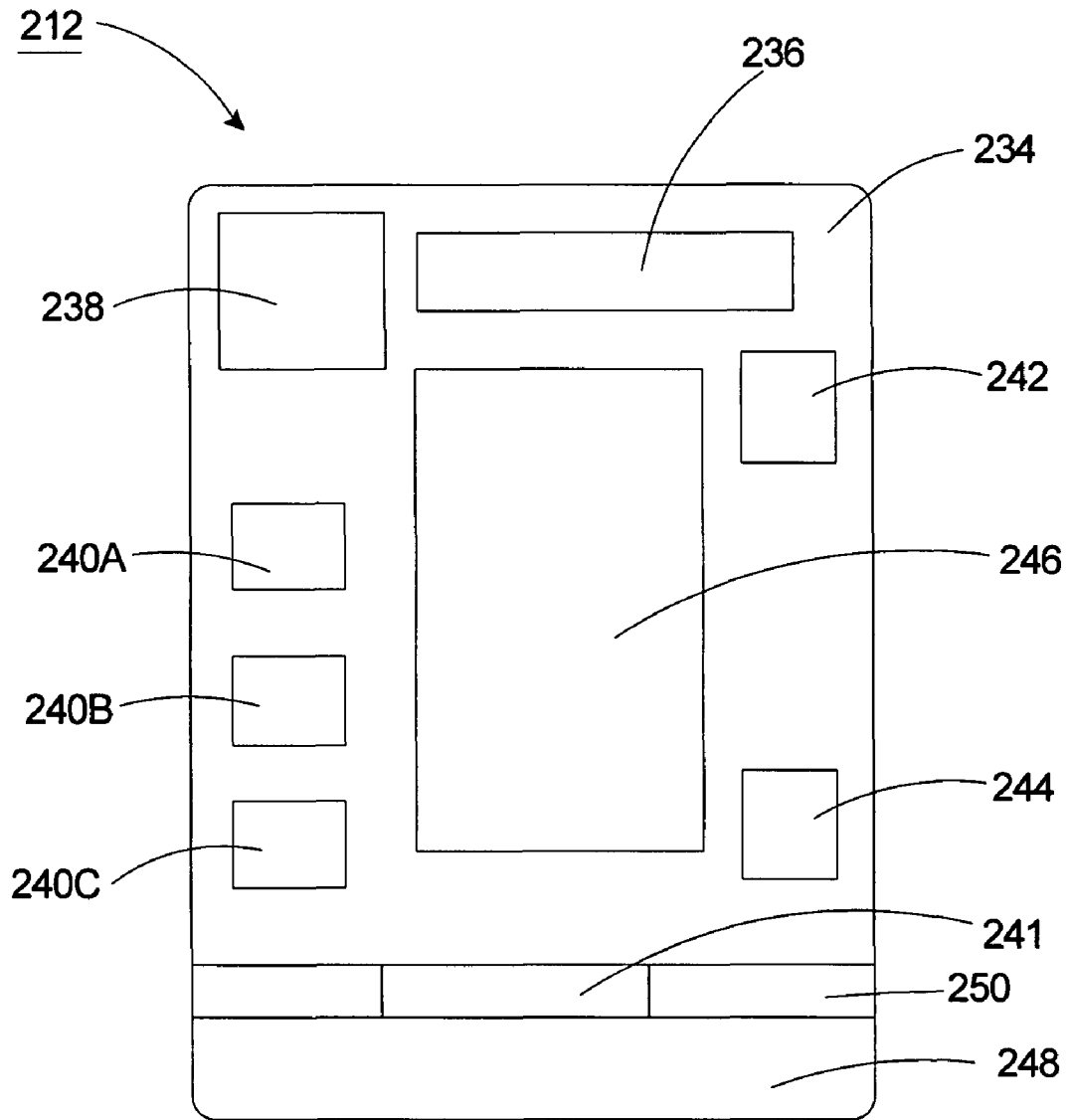
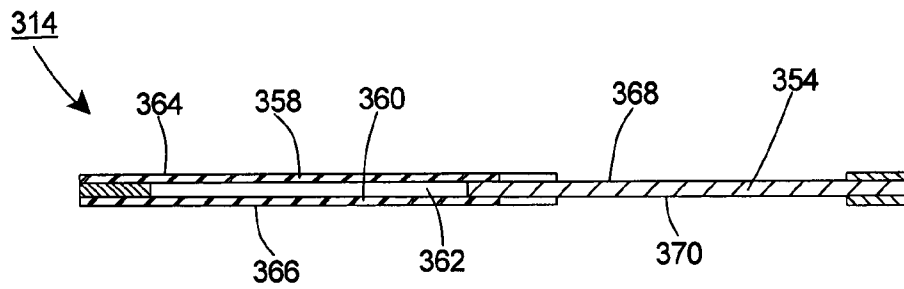
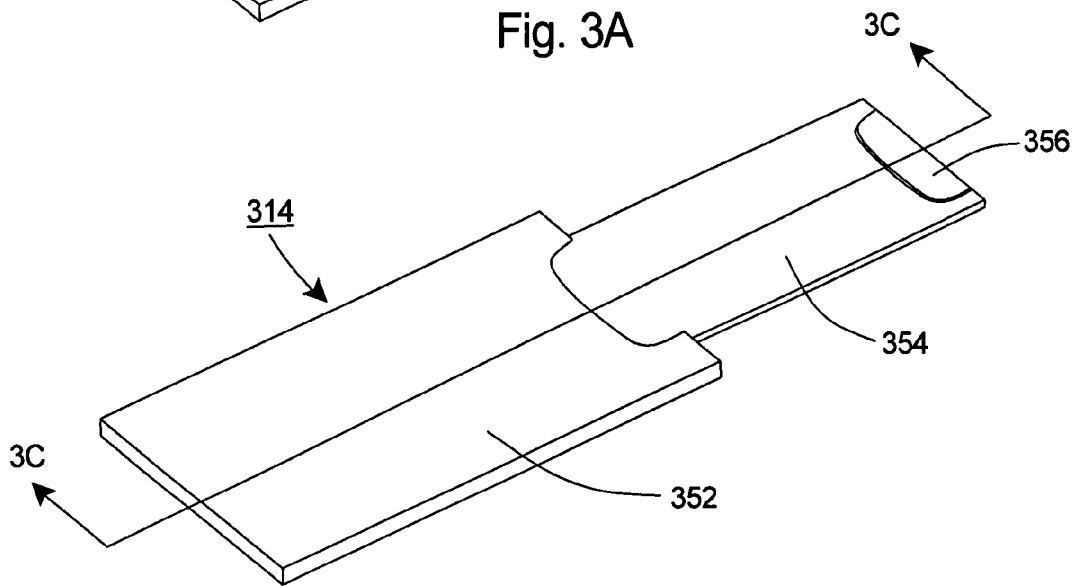
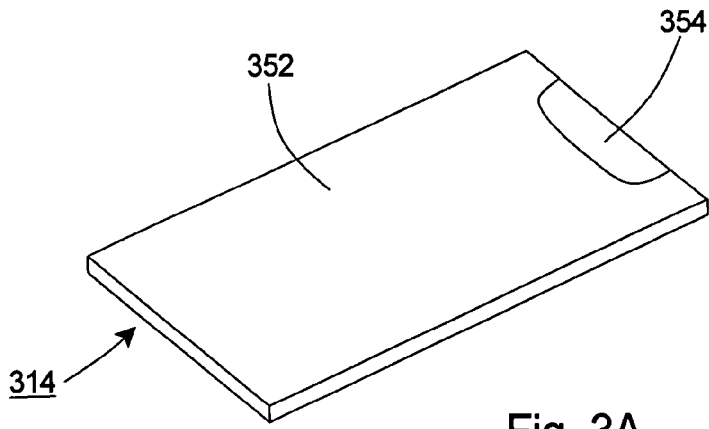


Fig. 2



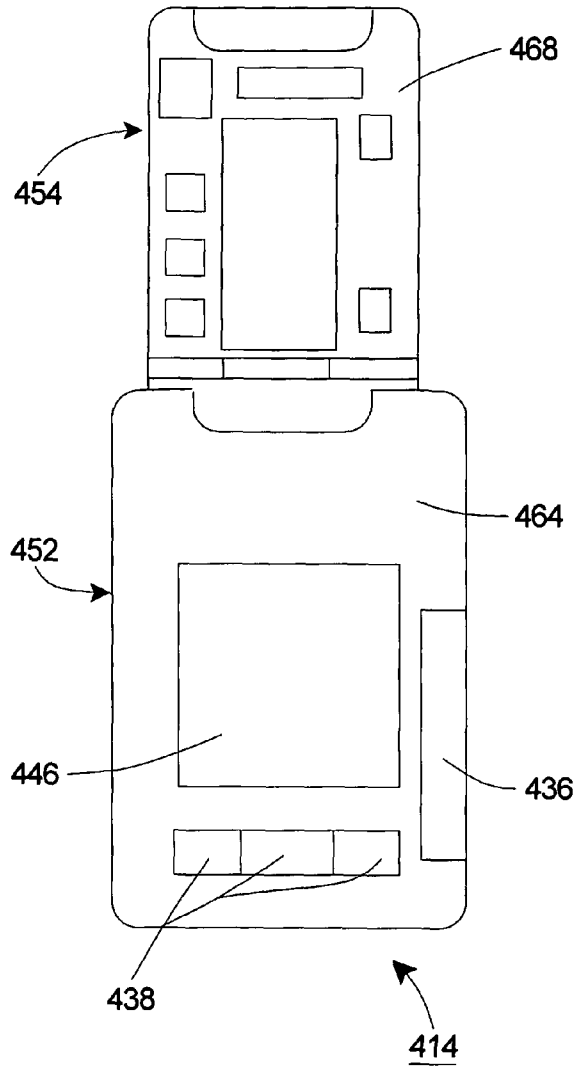


Fig. 4A

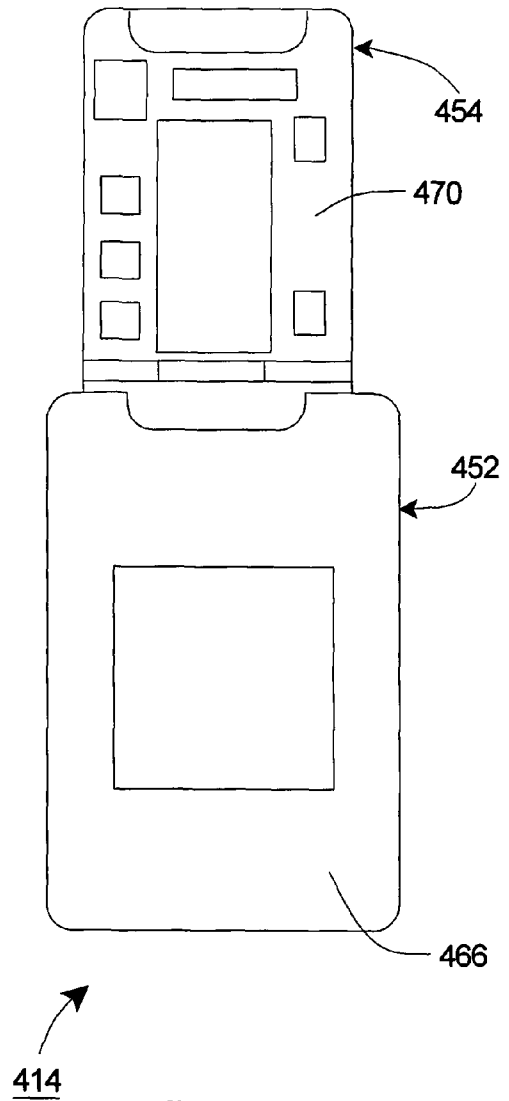


Fig. 4B

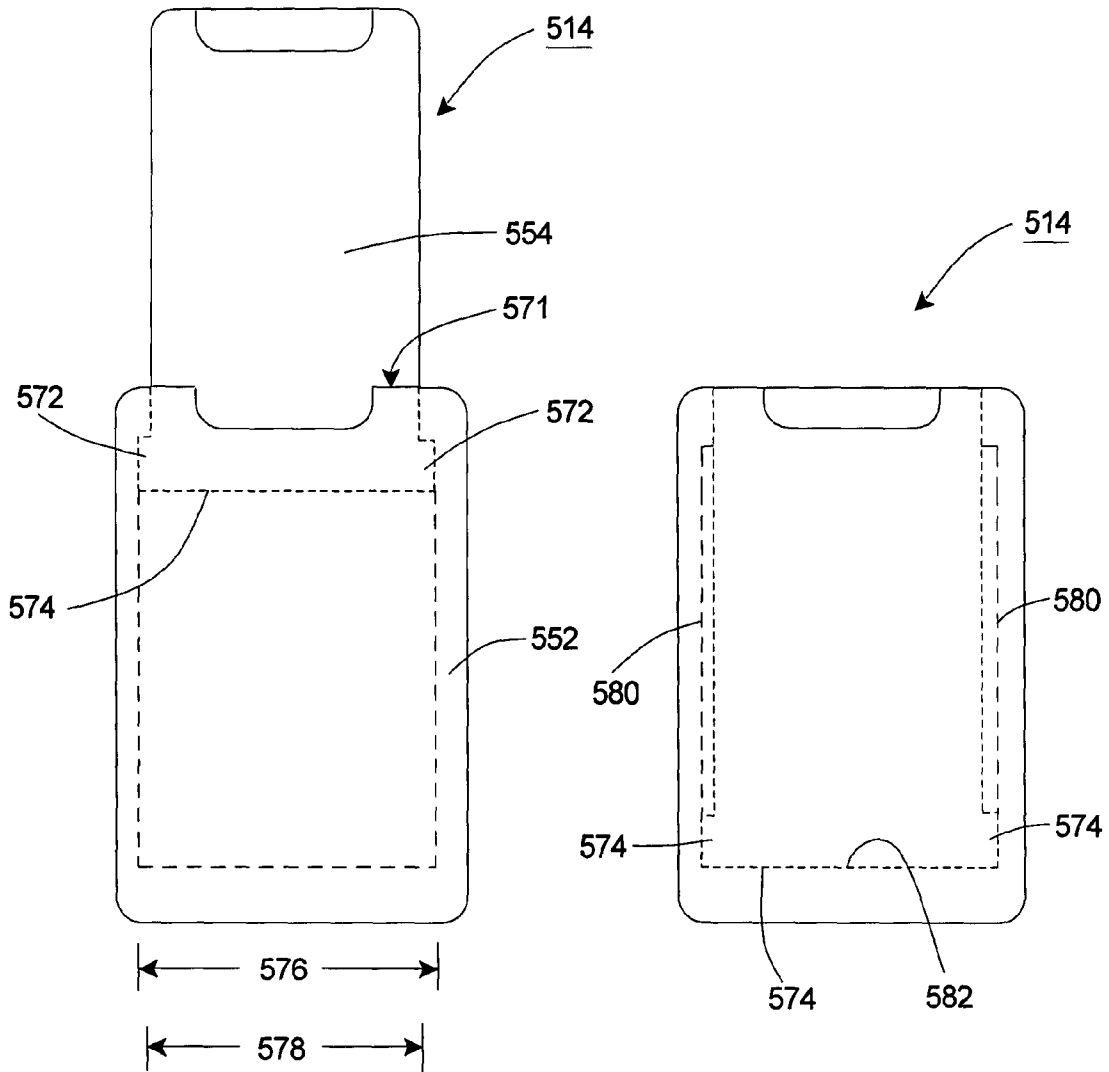


Fig. 5A

Fig. 5B

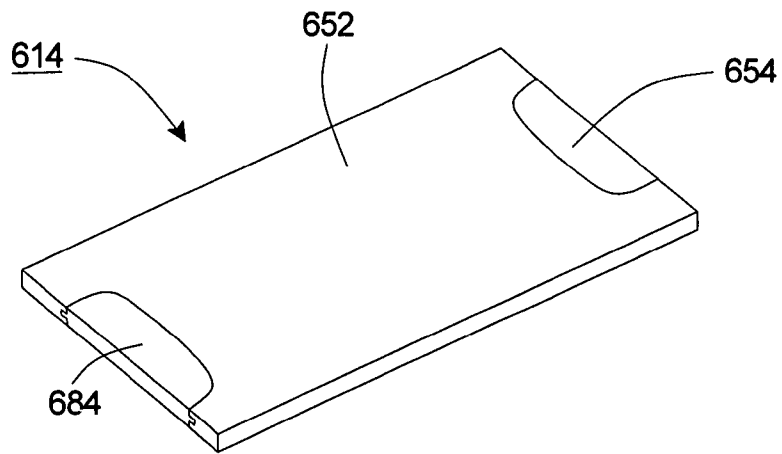


Fig. 6A

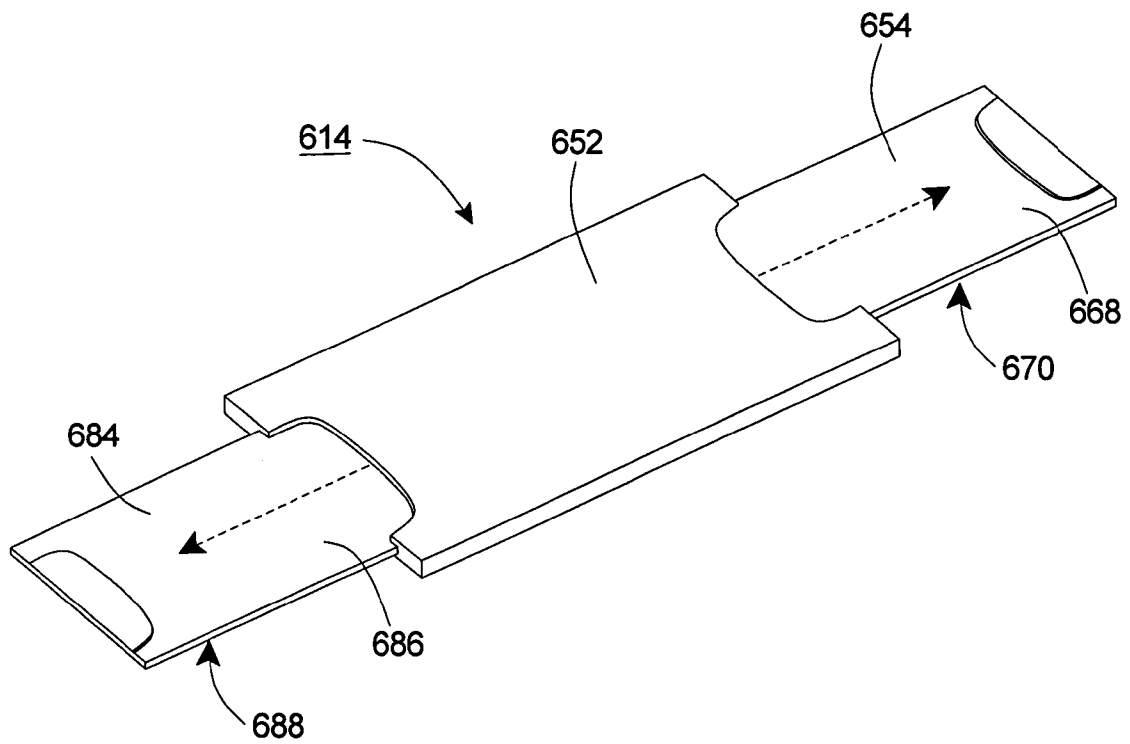


Fig. 6B

1

# TRADING CARD GAME INCLUDING TRADING CARD HAVING A SELECTIVELY UNEXPOSED SECTION

RELATED APPLICATION

This application is a divisional of and claims the benefit on U.S. patent application Ser. No. 11/042,857 filed on Jan. 25, 2005, which is currently pending. The contents of U.S. patent application Ser. No. 11/042,857 are incorporated herein by reference.

## BACKGROUND

Playing card games have been popular for many years. However, with the advent of computer games, the more hands-on nature of classic playing card games appears to have taken a backseat. Many of today's computer games do not require an opponent, allowing individuals to play alone with no personal interaction, one-on-one or group competition. Further, many of the old style playing card games are necessarily restricted by the inherent limitations of the standard playing card deck which can lack sophistication, creativity, diversity, complexity and an element of timing. As a consequence, individuals are not typically motivated to collect or trade cards from the standard deck of playing cards, and are therefore less likely to use such standard decks. Thus, an increasing number of individuals appear to be gravitating toward somewhat more anti-social, less hands-on, computer games.

## SUMMARY

The present invention is directed toward a trading card game for a first player and a second player. The game includes one or more first cards that each has only one immovable section. The game also includes a second card for each player that includes a first section and a second section. The second section can be movable relative to the first section so that the second card moves between a first position and a second position. In the first position, a portion of the second section is unexposed to the players. In the second position, the portion of the second section is exposed to the players, and influences the outcome of at least a portion of the game. In one embodiment, the second section has a first side and an opposing second side. The first side includes a first indicia and the second side includes a second indicia, with each indicia influencing the outcome of at least a portion of the game, depending upon which side is visible to the players.

In another embodiment, the second card includes a third section that is slidable relative to the first section. The third section moves relative to the first section and the second section. The third section also can influence the outcome of at least a portion of the game. In one embodiment, the unexposed indicia on the second section and/or the third section is known to one of the players before the indicia is exposed, e.g., before the game commences.

In still another embodiment, the second card includes a first surface, a second surface and a third surface. The third surface moves relative to the first and second surfaces between (i) a first position wherein a portion of the third surface is substantially unexposed to the players, and (ii) a second position wherein the portion of the third surface is exposed to the players. In this embodiment, the surfaces remain substantially parallel to one another when the third surface is in the first and second positions. Additionally, the third surface

2

includes an indicia that influences the outcome of at least a portion of the trading card game.

The present invention is also directed toward a method for playing a trading card game between a first player and a second player.

## BRIEF DESCRIPTION OF THE DRAWINGS

The novel features of this invention, as well as the invention itself, both as to its structure and its operation, will be best understood from the accompanying drawings, taken in conjunction with the accompanying description, in which similar reference characters refer to similar parts, and in which:

FIG. 1 is a perspective view of an embodiment of a trading card game having features of the present invention including a first card and a second card, the second card being illustrated in a first position;

FIG. 2 is a top view of one embodiment of the first card;

FIG. 3A is a perspective view of an embodiment of the second card illustrated in a first position;

FIG. 3B is a perspective view of the second card illustrated in FIG. 3A in a second position;

FIG. 3C is a cross-sectional view of the second card taken on line 3C-3C in FIG. 3B;

FIG. 4A is a top view of the second card in the second position;

FIG. 4B is a bottom view of the second card in the second position;

FIG. 5A is a top view of the second card in the second position including portions of the second card illustrated in phantom;

FIG. 5B is a top view of the second card in the first position including portions of the second card illustrated in phantom;

FIG. 6A is a perspective view of another embodiment of the second card in a first position; and

FIG. 6B is a perspective view of the second card illustrated in FIG. 6A in a second position.

## DESCRIPTION

Referring to FIG. 1 as an overview, the present invention is directed toward a trading card game 10 (also referred to herein simply as "game") that can be played by two or more players (not shown). The rules and visual appearance of the game can vary. However, the embodiments of the game provided herein each includes at least two structurally different types of trading cards (sometimes referred to herein simply as "cards") including one or more first cards 12 and one or more second cards 14. In the embodiment illustrated in FIG. 1, the game 10 also includes one or more play mats 16 upon which the cards 12, 14 are placed during play.

In the description which follows, at least one embodiment of a set of rules for the game 10 is provided. It should be recognized, however, that the rules herein provide one or more representations of literally countless possible sets of rules that can be used without deviating from the spirit and scope of the present invention. The rules to be followed for the game 10 can be decided by the players, or other versions of the rules can be used. Additionally, various indicia that can be included on one or more of the cards 12, 14 in the game 10 are provided herein. However, each of the cards 12, 14 does not need to include all, or even some of the indicia described. Moreover, the description of the indicia and their respective effects on the game 10 is not intended to exclude additional possible indicia and their consequential effects. Stated another way, any inclusion or omission of a discussion regarding certain potential indicia that can be included on the



cards **12**, **14** is not intended to mandate or limit the scope of such indicia, or the types of possible effects on the outcome of part or all of the game **10**.

In embodiments that use the play mat **16**, various predetermined positions can be included on the play mat **16** to assist the players. For more advanced players, a play mat **16** may not be necessary. In the embodiment illustrated in FIG. 1, the game includes a first player region **18** and a second player region **20**. A portion of the regions **18**, **20** can overlap. In one embodiment, the overlapped area is referred to as an advantage region **22**. One embodiment of a layout of the game mat **16** will now be described with respect to the first player, recognizing that the layout of the game mat **16** is substantially similar from the perspective of the second player.

The first player region **18** can include a plurality of zones. For example, in this embodiment, the first region includes a first zone **24A**, a second zone **24B** and a third zone **24C**, although any number of zones can be included in the present invention. The zones **24A-C** can be designated by different colors, numerical values, geometric shapes or any other suitable designation. Each zone **24A-C** can be energized to varying degrees depending upon the number of cards **12**, **14** positioned within each zone **24A-C**. In one embodiment, the greater number of cards **12**, **14** within a particular zone **24A-C**, the higher the energy of that zone **24A-C**. For example, at the outset of the game **10**, two first cards **12** can be placed in each zone **24A-C**, but this total typically changes as the game **10** progresses. Whenever energy is added, a first card **12** is placed facedown in the appropriate zone **24A-C**.

The first zone **24A** is a player's first line of defense, followed by the second zone **24B** and the third zone **24C**. The zones **24A-C** can be positioned in any order on the play mat **16**. In one embodiment, if a player fails to defend in the third zone **24C**, the opponent player can score a point, as provided in detail below. The first player to score a predetermined number of points wins the game.

In one embodiment, each player uses a plurality of first cards **12** and only one second card **14**. Alternatively, greater than one second card **12** can be used by each player. The first player region **18** can include a plurality of substantially horizontal rows and a plurality of substantially vertical columns. The number of rows and/or columns can vary. For example, in the embodiment illustrated in FIG. 1, the first player region **18** includes a top row **26A**, a middle row **26B** and a bottom row **26C**. Further, in the embodiment illustrated in FIG. 1, the first player region **18** includes a first column **28A**, a second column **28B** and a third column **28C** in addition to the zones **24A-C** described above.

The second card **14** can be positioned in the top row **26A** of the first column **28A** as illustrated in FIG. 1, while the remaining cards can be first cards **12** that are positioned in various other locations throughout the first player region **18**. In the embodiment illustrated in FIG. 1, a deck **30** of first cards **12** used by the first player can be positioned in the middle row **26B** in the first column **28A**. Additionally, a discard pile **32** can be positioned in the bottom row **26C** of the first column **28A**. However, it is recognized that the positioning of the cards **12**, **14** shown in FIG. 1 can be varied.

Moreover, the orientation of the cards **12**, **14** in each row **26A-C** of the first column **28A** can be altered in order to "charge" the row **26A-C**. In one embodiment, the rows **26A-C** are charged when the cards in the first column **28A** are turned approximately 90 degrees, as shown in phantom in FIG. 1. For example, the first row **26A** becomes charged when the second card **14** is turned sideways **14X**. The second row **26B** becomes charged when the deck **30** is turned sideways **30X**, and the third row **26C** becomes charged when the discard pile

**32** is turned sideways **32X**. In one embodiment, once the three rows **26A-C** are charged, the second card **14** can be used by the player, as described in greater detail below.

The second column **28B** and the third column **28C** can be used during the course of the game **10** when the player turns over cards one-at-a-time from that player's deck **30**, as explained herein. For ease of discussion, a portion of the description of the Figures below may refer back to the overall game **10** illustrated in FIG. 1.

FIG. 2 is a top view of one embodiment of the first card **212**. In this embodiment, the first card **212** includes only a substantially flat, non-movable section **234**. Thus, in this embodiment, the first card **212** is constructed to form a single piece of card material, and therefore, does not move relative to itself. Stated another way, the first card **212** has no moving sections. In this embodiment, the first card **212** can have a similar size and/or form factor to a standard playing card such as that found in a standard 52-card deck. Alternatively, the first card **212** can have dimensions that are greater or smaller than the form factor of a standard playing card.

As non-exclusive examples, each first card **212** can include one or more indicia, such as a card name **236**, a trait requirement **238**, one or more energy costs **240A-C**, a card type **241**, an intercept value **242**, a force value **244**, graphics or other aesthetic images **246**, rules text **248**, and/or a card version **250**. Each first card **212** can be unique, or a player may have more than one first card **212** with the same name **236** in play at a time.

The card name **236** can be a descriptive name or some other suitable designation. The trait requirement **238** can be a symbol, a number, or any other type of suitable image. The trait requirement **238** can be used by a player during construction of that player's deck. For example, in one embodiment, in order to use one of the first cards **212** having a specific trait requirement **238**, there must be a similar trait requirement symbol on one or more of the second cards **14** (illustrated in FIG. 1) also used by that player. Therefore, from a strategic standpoint, the player can construct a deck **30** having first cards **212** with trait requirements **238** that match the trait requirement **238** of the second card **14** used by that player.

The energy costs **240A-C** represent the amount of energy that must be spent by the player to use a particular first card **212**. The number of different energy costs **240A-C** can vary depending upon a number of zones **24A-C** (illustrated in FIG. 7) being used in the game **10**. For example, if the game **10** includes three zones **24A-C**, each first card **212** can potentially include up to three energy costs **240A-C** that must be paid by the player in order to use the first card **212**. Each energy cost **240A-C** can be represented by a number or other graphic that is associated with each zone **24A-C**. In one embodiment, for instance, if a first card **212** costs one energy for the first zone **24A**, one first card **212** is removed from the first zone **24A**, and is placed face-up in that player's discard pile **32**.

As an example, a particular first card **212** may have an energy cost **240A** of one card in the first zone **24A** and a further energy cost **240C** of one first card **212** in the third zone **24C**. The player wishing to play this strike would therefore take one first card **212** from the first zone **24A**, and one first card **212** from the third zone **24C**, and put them face-up in that player's discard pile **32**.

In one embodiment, an energy cost **240A** from the first zone **24A** can also be paid with a first card **212** from either the second zone **24B** or the third zone **24C**. Further, any energy cost **240B** from the second zone **24B** can also be paid with a first card **212** from the third zone **24C**.

The card type **241** indicates the type of first card **212**. The card type **241** can provide the type of card using text or some other suitable means. The types of first cards **212** that can be included in the trading card game **10** can vary. In one embodiment, the inclusion or exclusion of certain indicia can distinguish one first card **212** from another first card **212**. Further, as non-exclusive examples, the first card **212** can be a strike card, a teamwork card or an advantage card, as explained in greater detail below. Each of these types of first cards **212** can perform different functions during the course of the game **10**.

The strike card allows players to take turns attacking the opponent player while simultaneously defending against the opponent player's attacks. As an overview, in one embodiment of the rules of the game **10**, the objective is to score a predetermined number of strikes against the opponent player. For example, in one such embodiment, the objective is to score three strikes against the opponent player. However, the number of strikes required to win the game **10** can be varied.

If a player fails to stop a strike in each of that player's zones **24A-C**, the opposing player scores a point. The first player to gain a predetermined number of points wins the game **10**. The method of scoring a strike is provided herein.

Teamwork cards represent friends and allies that assist the player in combat. In one embodiment, teamwork cards can be played by turning the teamwork card face up in the third column **28C**. The teamwork card may be played by paying its cost **240A-C**. A teamwork card can remain in play until the conclusion of the game **10** unless it is eliminated by the effects of other cards **212**, **14**. The teamwork card only affects other cards flipped in the row **26A-C** in which the teamwork card is located. In one embodiment, only one teamwork card can remain in play in each row **26A-C**. When one player scores a point, that player may add an energy card into each of the zones **24A-C** in which that player is currently playing a teamwork card.

Advantage cards can be used to enhance a player's strike card, or to alter any other aspect of the game, including adding or eliminating energy, teamwork, or even allow searching through the player's deck **30**. The advantage card can be played by paying the cost **240A-C** indicated on the card. When played, advantage cards are placed into the advantage area **22** illustrated in FIG. **1**. In one embodiment, advantage cards can affect all the cards **12**, **14** that are played. Further, in one embodiment, there is no limit to the number of advantage cards that a player can play in a row **26A-C** without moving to the next row.

Referring again to FIG. **2**, the intercept value **242** represents the ability of the first card **212** to stop a strike by an opponent player. In order to play one of the strike cards, the strike card must have an intercept value **242** that is greater than or equal to the force value **244** of the incoming attack.

The force value **244** is the attack value of the strike card. Once a player counterattacks with a strike card, the opponent player cannot play a strike card unless the intercept value **242** is equal or greater to the force value **244**.

The first card **212** can also include a graphics region **246** to provide aesthetics to the first card **212**. The graphics region **246** can include animations of a character represented by the first card **212**, or any other suitable graphics.

The rules text **248** can provide rules regarding the specific requirements of using the card **212** or the particular effects of using the card **212**. For example, any additional information or explanatory data can be included in the rules text **248**, which may or may not have an impact on any portion of the game **10**.

The version **250** of the card **212** can change the attributes of the card **212** even though the name of the card **212** may be the

same as another card. Different versions **250** of cards **212** by the same name can have different requirements for use and/or different effects on the game **10**.

FIG. **3A** is a perspective view of the second card **314** shown in a first position. In contrast to the first card **212** (illustrated in FIG. **2**), the second card **314** is movable relative to itself. For example, the second card **314** can include a first section **352** and a second section **354** that selectively move relative to one another. It is recognized that either section **352**, **354** can be the first section **352** or the second section **354**.

Further, in one embodiment, the first section **352** is colored or opaque so that the majority of the second section **354** cannot be seen when the second card **314** is in the first position.

FIG. **3B** is a perspective view of the second card **314** illustrated in a second position. In the second position, a greater portion of the second section **354** is exposed. In other words, when the second card **314** is in the second position, the players can view a greater portion or all of the second section **354** of the card **314**. In this embodiment, the second section **354** is slidingly movable relative to the first section **352**. The second section **354** can also include a thickened grip region **356** that the player can use to grip the second section **354** to expose at least a portion of the second section **354** during the game **10**. In alternative embodiments, the second section **354** of the second card **314** can be revealed to the players by other means such as unfolding, use of transparent colorless or colored windows, scratch off coverings, etc.

The second card **314** is selectively moved from the first position to the second position by the player that controls the second card **314** at a strategic time during the game **10**. In one embodiment, each player knows only what is included on the second section **354** of that player's second card **314**. With this knowledge, one player can, under certain circumstances, reveal the second section **354** to the opponent player, and can utilize one or more of the indicia included on the second section **354** as appropriate.

FIG. **3C** is a cross-sectional view of the second card **314** illustrated in FIG. **3B**, shown in the second position. In this embodiment, the first section **352** includes a first layer **358** and a spaced apart second layer **360**. Between the layers **358**, **360** is a gap **362** that houses the second section **354** when the second card **314** is in the first position. The first layer **358** includes a first surface **364** that is exposed to the players. The second layer **360** includes a second surface **366** that is substantially opposite the first surface **364** so that the second surface **366** can also be exposed to the players. Further, in this embodiment, the second section **354** includes a third surface **368** and a substantially opposite-facing fourth surface **370**. In this embodiment, all of the surfaces **364**, **366**, **368**, **370** are substantially parallel to one another. Alternatively, not all surfaces **364**, **366**, **368**, **370** are substantially parallel to one another.

FIG. **4A** is a top view of another embodiment of the second card **414** illustrated in the second position so that at least some of the indicia of the second section **454** of the second card **414** are exposed. In this embodiment, the first section **452** can include a first surface **464** having one or more indicia previously described relative to the first card **212** (illustrated in FIG. **2**). For example, the first section **452** can include a card name **436**, one or more trait requirements **438**, and/or graphics or other aesthetic images **446**, as non-exclusive examples.

The second section **454** of the second card **414** can also include some or all of the indicia previously described with respect to the first card **212**. In one embodiment, the second section **454** includes a third surface **468** which is a scaled down version of a portion of the first card **212**, although some

of the indicia may have different numerical values, graphics, names, etc. It is recognized that as part of the game 10, the second section 454 can be fully extended, or only partially extended, revealing only some of the indicia of the second section 454.

FIG. 4B is a bottom view of the second card 414 illustrated in FIG. 4A, shown in the second position. The second card 414 can also have a second surface 466 positioned on the first section 452, and a fourth surface 470 positioned on the second section 454. The second surface 466 and the fourth surface 470 may include one or more indicia previously described relative to the first card 212 (illustrated in FIG. 2).

FIG. 5A is a top view of another embodiment of the second card 514 illustrated in the second position, with a portion of the second card 514 in phantom for clarity. In this embodiment, the first section 552 includes an opening 571 through which a portion of the second section 554 slides. Further, the second section 554 includes one or more flanges 572 positioned at or near a bottom edge 574 of the second section 554. The flanges 572 make the second section 554 wider at or near the bottom edge 574 to inhibit the second section 554 from being completely removed from the first section 552. Stated another way, a width 576 of the second section 554 at or near the bottom edge 574 is greater than a width 578 of the opening 571 formed in the first section 552 in which the second section 554 slides. With this design, a particular second section 554 can be permanently associated with a respective first section 552, and the potential for a player losing either the first section 552 or the second section 554 is decreased.

FIG. 5B is a top view of the second card 514 illustrated in FIG. 5A, in the first position. In this embodiment, the first section 552 includes two inside side edges 580 and an inside bottom edge 582. In the first position, the bottom edge 574 of the second section 554 can be in contact with the bottom inside edge 582 of the first section 552. Further, the flanges 574 of the second section 554 can move against one or both of the inside side edges 580 of the first section 552 for greater stability. In alternative embodiments, the first section 552 and the second section 554 can have different configurations.

FIG. 6A is a perspective view of another embodiment of the second card 614 illustrated in a first position. In this embodiment, the second card 614 includes a first section 652, a second section 654 and a third section 684. In the first position, the majority of the second section 654 and the third section 684 are unexposed from view by the players.

FIG. 6B is a perspective view of the second card 614 illustrated in the second position. In the second position, a greater portion of the second section 654 and/or the third section 684 are exposed to the players. It is recognized that the second section 654 and the third section 684 can be simultaneously or alternately exposed when the second card 614 is in the second position.

In the embodiment illustrated in FIG. 6B, the second section 654 can include two opposing surfaces 668, 670, and the third section 684 can include two opposing surfaces 686, 688. Further, in at least some of the embodiments provided herein, the surfaces are substantially parallel to one another.

In this embodiment, either or both of the second section 654 and the third section 684 can have indicia similar to the indicia previous described relative to the first card 212 (illustrated in FIG. 2). Further, in this embodiment, the indicia included on the third section 684 can be complimentary, e.g., additive, to the indicia included on the second section 654. Alternatively, the indicia included on the third section 684 can offset or cancel the indicia included on the second section

654. Still alternatively, the indicia included on the third section 684 can have a different purpose than the indicia included on the second section 654.

## Playing the Game

Referring back to FIG. 1, one embodiment of the game 10 will now be described in greater detail. A player's deck 30 can be constructed by the player around that player's favorite second card 14, for example. Rules can be applied to deck construction such as: (1) the deck may have no fewer than 30, or alternatively, 60 cards, (2) the deck may have no more than four copies of any specific card, or (3) the deck can include a plurality of first cards, and only one second card, as non-exclusive examples. In an alternative embodiment, for instance, the deck 30 can include a plurality of second cards 14.

Some cards may have the same card name 222, but actually have different version names 238 and/or different game text 236, for example. In this case, four of each version could be played, since these may actually be different cards having different effects.

Each player can place two first cards 12 face down from their deck 30 without looking at them into the first zone 24A. Each player can then place two cards from the deck 30 face-down in both the second zone 24B and third zone 24C. Each player places the top four first cards 12 from their deck 30 face-up into their discard pile 32. Each player adds up the total force value 244 of the four first cards 12 in their discard pile 32. The player with the highest total force value 244 will decide who defends first. If the players tie, each flips an additional card from their deck 30 into their discard pile 32 until the tie is broken.

Players defend first in the first row 26A, then, if necessary, the second row 26B, and finally, the third row 26C. Cards are flipped face-up into the second column 28B in the row being defended. Once a card is flipped, it can be played by paying its energy cost 240A-C. If the card is not played, the card may be "focused" and be added face down to the energy stack in that row. If this occurs, the player is now defending in the next row down. Because of card effects, sometimes the player will not be able to either play or focus a card. When this happens, the player must instead discard the card into the discard pile 32. The player may voluntarily discard a card instead of playing or focusing it. The player then defends in the next row down.

Whenever a strike is played, it is referred to as a counter-attack. When counterattacks occur with a strike card, the strike card is turned sideways in the second column 28B. This indicates that the player's turn is over. The opponent player must now defend against the force of that strike.

The first action the defending player takes on his or her turn is to cleanup his or her region 18, 20. The defending player removes all of the cards he or she played when last defending and puts them into the discard pile 32. Normally this includes the last strike that he or she played and/or any advantages in his or her advantage area 22. In one embodiment, the energy cards as well as any teamwork cards that are in play are never cleaned up, and remain in play even after someone scores a point.

After cleanup, the defending player now has a chance to replenish his or her energy. Replenishing is one of the main ways in which each player gains energy. The deeper the row from which one player was forced to counterattack, the more energy the other player will gain. In one embodiment, the row from which the opposing player counterattacked is determined, and one energy card is added to the zone for that row and each row above that row.

Before the defending player starts defending in the appropriate row, the defending player has a chance to play his or her second card **14**. As indicated above, the player may only play that player's second card **14** if all of that player's rows **26A-C** are charged. Playing the advantage card is one method of charging zones. In one embodiment, whenever an advantage card is played, the row in which the advantage card was played can be charged. Charging all three rows **26A-C** is the only way to use the second section **354** of the second card **14**.

Once charged, a row can stay charged until the second section **354** of the second card **14** is exposed to the opponent and is used to affect the outcome of at least a portion of the game **10**. Once all these conditions are met, the second section of the second card can be revealed and played against the opponent player. To do so, the player can uncharge all of that player's charged zones. The second section is then revealed to the opponent player, and the energy cost is paid, if required.

If the player cannot or decides not to play the second card **14**, the player begins defending as normal in the first row **26A**. The defending player continues defending in each of the three rows **26A-C** until that player either counterattacks or is unable to counterattack, in which case the opponent player scores a point. Once one player scores three points, that player is declared the winner. If no one has won after a point is scored, the process is repeated until a winner is determined.

The second card **14** cleans up differently than the first card **12**. Regardless of whether the opponent player has succeeded in counterattacking, or whether a point is scored, the second section **354** is again concealed by moving the second section **354** to the first position, and the second card **14** is flipped over so that the second surface **366** is face up.

The next time the player charges up that player's rows, the player will now be able to reveal and play the fourth surface **370** of the second section **354** to reveal the indicia on the fourth surface **370**. If the fourth surface **370** of the second section **354** has just been revealed and played, the player can flip the second card **14** back over to show the first surface **364** of the first section **352**, and start all over again.

While the particular trading card game **10** as herein shown and disclosed in detail is fully capable of obtaining the objects and providing the advantages herein before stated, it is to be understood that it is merely illustrative of the presently preferred embodiments of the invention and that no limitations are intended to the details of construction or design herein shown other than as described in the appended claims.

What is claimed is:

**1.** A trading card game for use by a first player and a second player, the trading card game comprising:

a first card that influences the outcome of at least a portion of the trading card game, the first card including only one section; and

a second card including a first section and a second section, the second section being slidable relative to the first section so that the second card moves between a first position wherein a portion of the second section is substantially unexposed to the players, and a second position wherein the portion of the second section is exposed to the players, the second section including (i) a first side having a first indicia that influences the outcome of at least a portion of the trading card game when the first indicia is exposed to the players, (ii) a second side opposite the first side, the second side having a second indicia that is different than the first indicia, the second indicia influencing the outcome of at least a portion of the trading card game when the second indicia is exposed to the players, and (iii) a grip region that is exposed when the

second card is in the first position, the grip region having a thickness that is different than the portion of the second section;

wherein the first card is positioned remotely from the second card so that the first card does not contact any portion of the second card at any time.

**2.** The trading card game of claim **1** wherein the first indicia and the second indicia have different influences from one another on the outcome of at least a portion of the trading card game.

**3.** The trading card game of claim **1** wherein the second section has a substantially planar first side and a substantially planar second side that is opposite the first side.

**4.** The trading card game of claim **3** wherein the second section includes a first indicia that influences the outcome of at least a portion of the trading card game.

**5.** The trading card game of claim **3** wherein the first section includes a first layer that includes the first side, and a spaced apart second layer that includes the second side.

**6.** The trading card game of claim **5** wherein the second section is positioned substantially between the first layer and the second layer.

**7.** The trading card game of claim **1** wherein the second section includes a flange that maintains engagement between the second section and the first section when the second card is in the second position.

**8.** The trading card game of claim **1** wherein the second card includes a third section that is slidable relative to the first section so that the second card moves between a first position wherein a portion of the third section is substantially hidden from view by the players, and a second position wherein the portion of the third section is substantially exposed to the players.

**9.** The trading card game of claim **8** wherein the third section influences the outcome of at least a portion of the trading card game.

**10.** The trading card game of claim **1** further comprising at least one first card and at least one second card for the first player, and at least one first card and at least one second card for the second player.

**11.** The trading card game of claim **1** further comprising at least approximately 29 first cards for each of the players.

**12.** The trading card game of claim **1** further comprising a play mat, wherein the first card and the second card are positioned in predetermined locations on the play mat.

**13.** A trading card game for use by a first player and a second player, the trading card game comprising:

a first card that influences the outcome of at least a portion of the trading card game, the first card including only one section; and

a second card including a first section and a second section, the second section being slidable relative to the first section so that the second card moves between a first position wherein a portion of the second section is substantially unexposed to the players, and a second position wherein the portion of the second section is exposed to the players, the second section including a grip region that is exposed when the second card is in the first position, the grip region having a thickness that is different than the portion of the second section.

**14.** The trading card game of claim **13** wherein the first card and the second section of the second card have different configurations from one another.

**15.** The trading card game of claim **13** wherein the second section includes (i) a first side having a first indicia that influences the outcome of at least a portion of the trading card game when the first indicia is exposed to the players, and (ii)

11

a second side opposite the first side, the second side having a second indicia that is different than the first indicia, the second indicia influencing the outcome of at least a portion of the trading card game when the second indicia is exposed to the players.

**16.** The trading card game of claim **13** wherein the second section has a substantially planar first side and a substantially planar second side that is opposite the first side.

**17.** The trading card game of claim **13** wherein the second section includes a flange that maintains engagement between the second section and the first section when the second card is in the second position.

**18.** The trading card game of claim **13** wherein the second card includes a third section that is slidable relative to the first section so that the second card moves between a first position wherein a portion of the third section is substantially hidden from view by the players, and a second position wherein the portion of the third section is substantially exposed to the players.

**19.** The trading card game of claim **18** wherein the third section influences the outcome of at least a portion of the trading card game.

12

**20.** The trading card game of claim **13** further comprising at least one first card and at least one second card for the first player, and at least one first card and at least one second card for the second player.

**21.** The trading card game of claim **13** further comprising a play mat having a plurality of predetermined locations for placement of the first card and the second card.

**22.** The trading card game of claim **1** wherein the first card and the second section of the second card have different configurations from one another.

**23.** A trading card game for use by a first player and a second player, the trading card game comprising:

a first card that influences the outcome of at least a portion of the trading card game, the first card including only one section; and

a second card including a first section and a second section, the second section being slidable relative to the first section so that the second card moves between a first position wherein a portion of the second section is substantially unexposed to the players, and a second position wherein the portion of the second section is exposed to the players, the second section and the first card having different configurations from one another.

\* \* \* \* \*